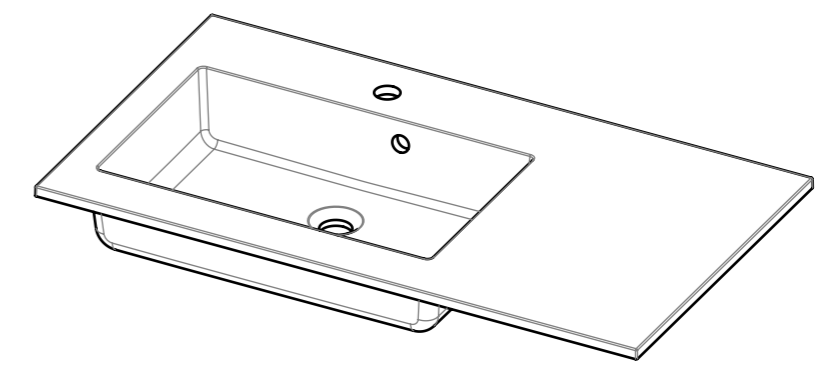
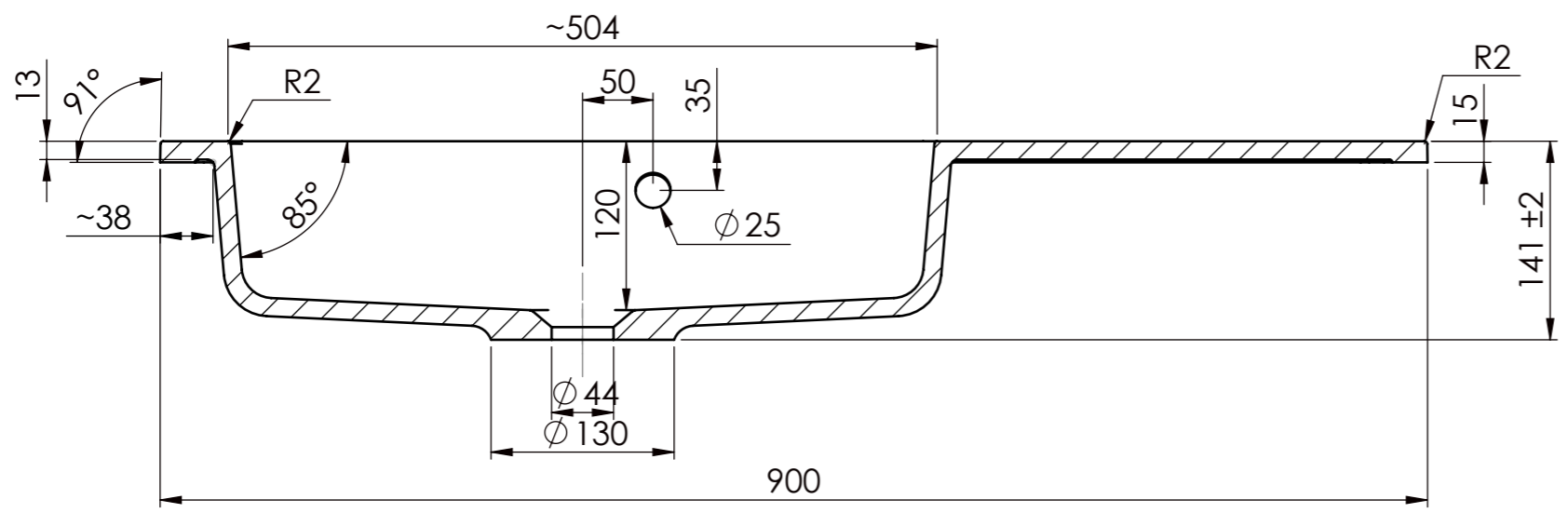
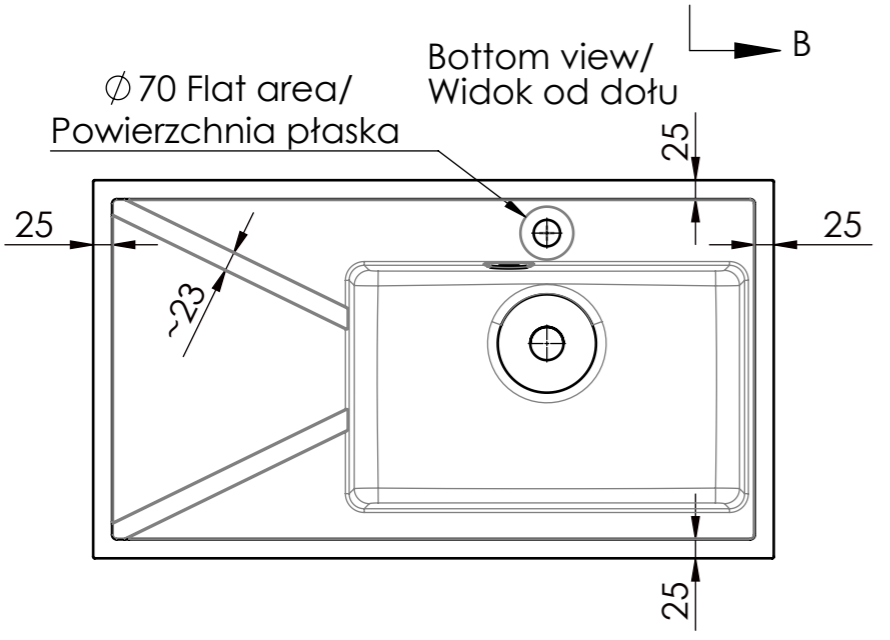
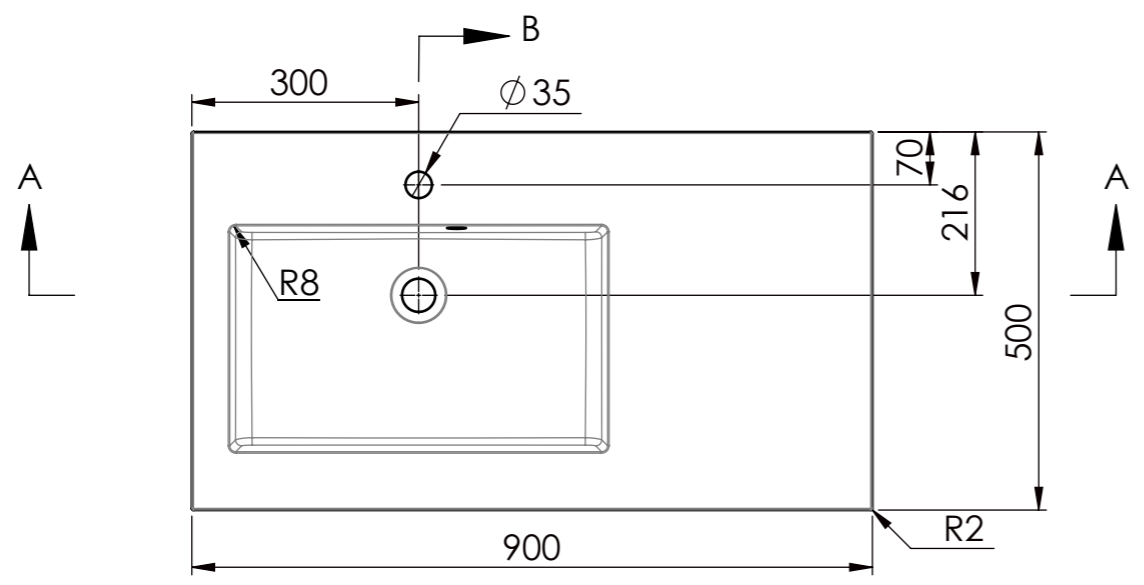
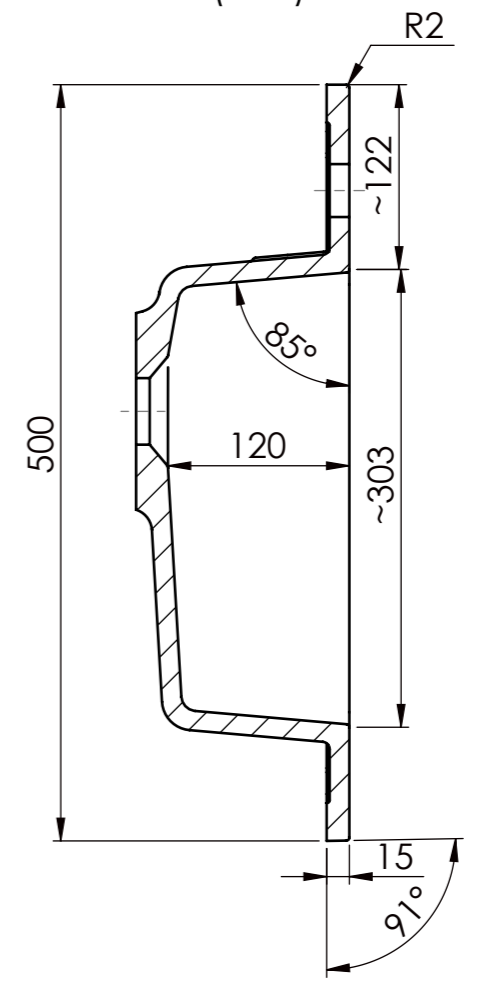


Rev	Design Change Note	Author	Date
001	First issue	RB	2012-06-01
002	Bowl dimension and tap hole location changed	RB	2012-07-18
003	Sheet updated	ZP	2013-05-16

A-A (1 : 5)



B-B (1 : 5)



**UMYVADLO PLANE 90**

This document must not be copied without our written permission, and the contents thereof must not be imparted to a third party nor be used for any unauthorized purpose. Contravention will be prosecuted.