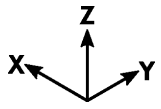
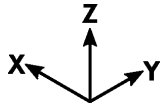


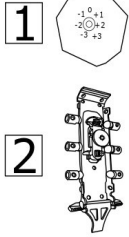
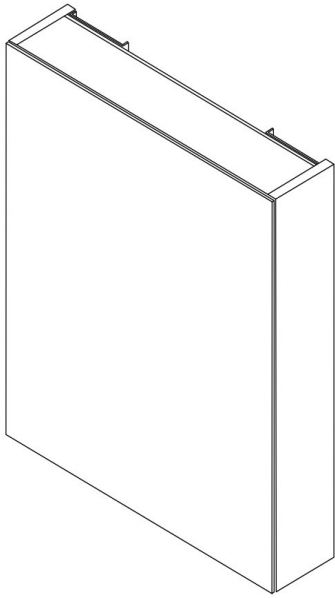
# STING GA2E 060



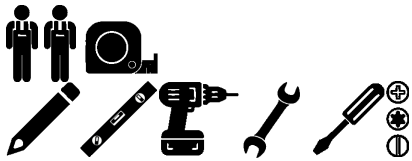
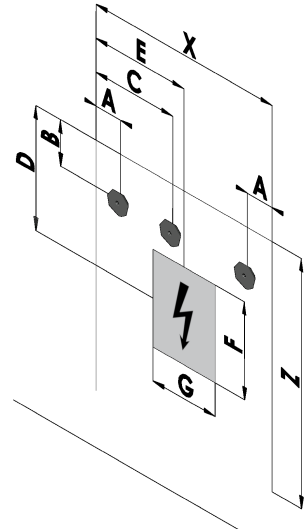
X: 0 mm  
Y: 0 mm  
Z: 0 mm



X: 600 mm  
Y: 138 mm  
Z: 739 mm



X 600 mm  
Z 739 mm  
A 80 mm  
B 150 mm  
C mm  
D 1/2 Z  
E 1/2 X  
F 500 mm  
G 300 mm  
H mm  
I mm  
J mm



**max. Kg** Max. 50 Kg

