

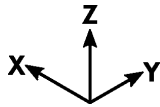


U014

X: 550mm

Y: 475mm

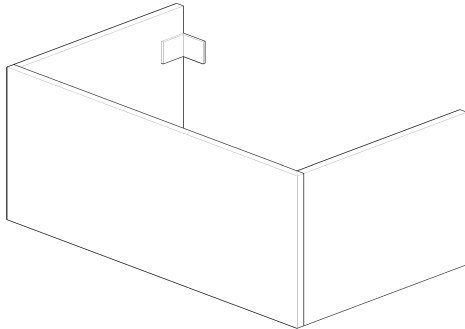
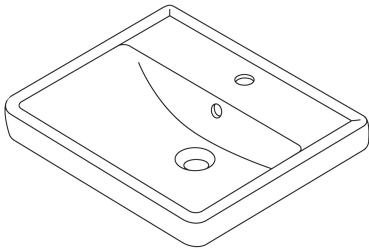
Z: 90mm



X: 495 mm

Y: 436 mm

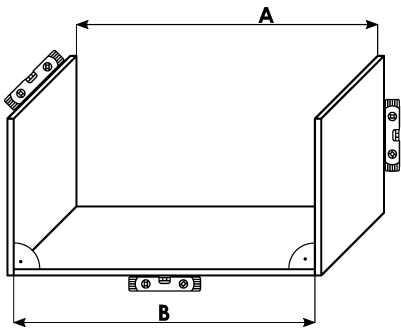
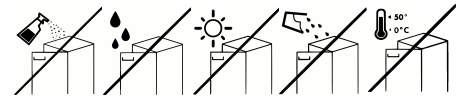
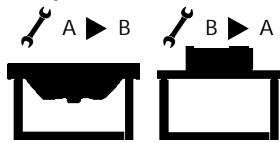
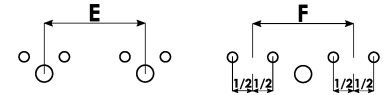
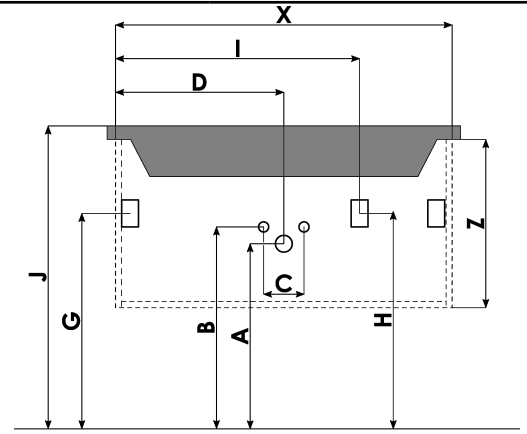
Z: 560 mm



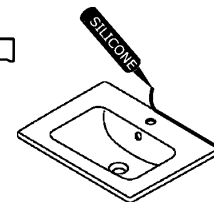
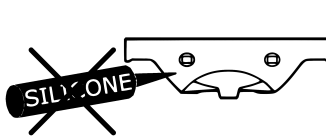
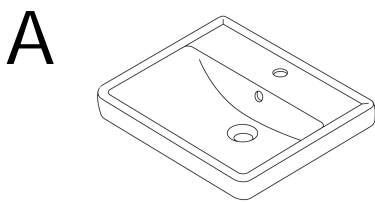
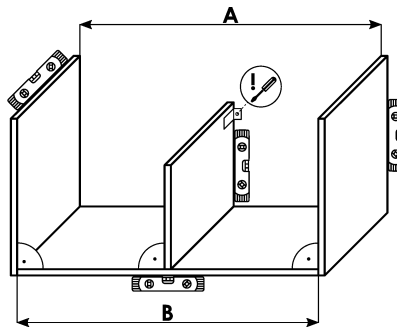
A



- A 540 mm
- B 570 mm
- C 80-120 mm
- D 248 mm
- E mm
- F mm
- G 640 mm
- H mm
- I mm
- J 860 mm
- M mm
- N mm



! A=B



B

