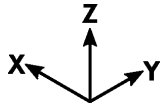
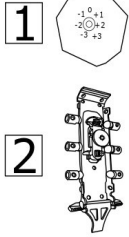
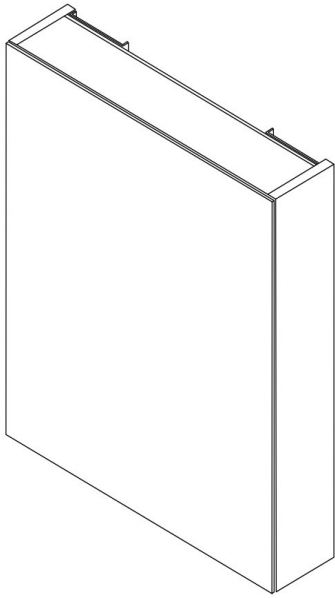


X_i 0mm
Y_i 0mm
Z_i 0mm



X 1000 mm
Y 148 mm
Z 680 mm



X 1000 mm
Z 680 mm
A 100 mm
B 160 mm
C 500 mm
D
E
F mm
G mm
H mm
I mm
J mm

