

MODULE SZZ4 200 U103

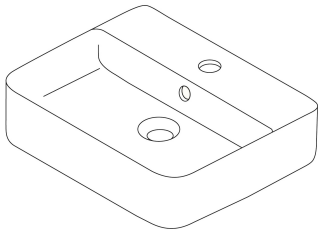


U103

X: 460mm

Y: 390mm

Z: 125mm



X: 2000 mm

Y: 500 mm

Z: 418 mm



A



A 560 mm
B 600 mm
C 80-120 mm

D 501 mm

E 998 mm

F ... mm

G 656 mm

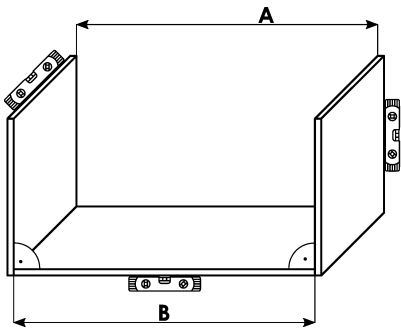
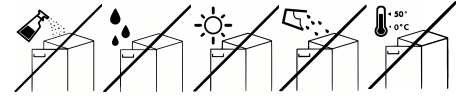
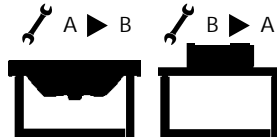
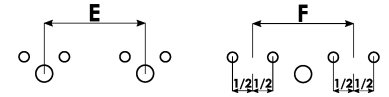
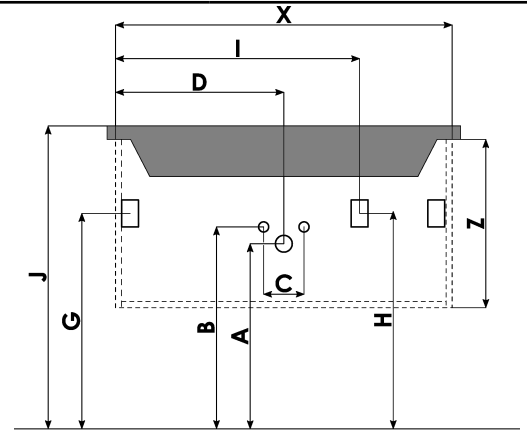
H 656 mm

I 951/1048/1949 mm

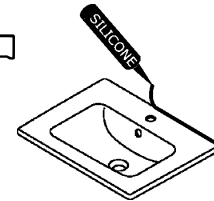
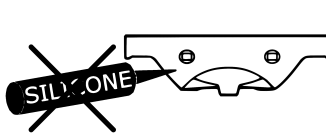
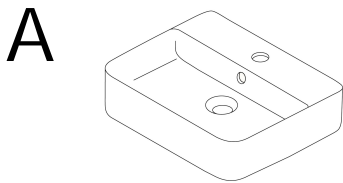
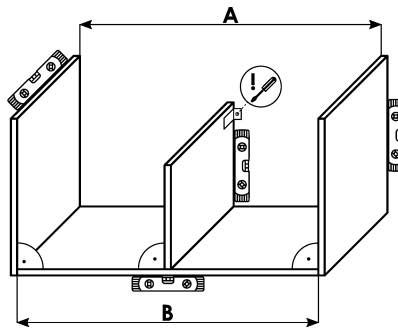
J 860 mm

M mm

N mm



! A=B



B

