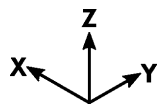


MODULE SZZ4 160 U115

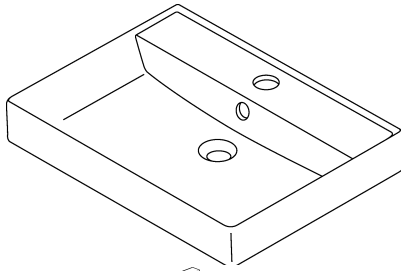


U115

X: 600mm

Y: 455mm

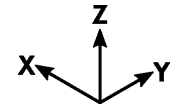
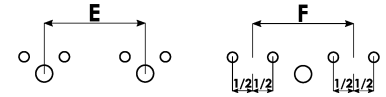
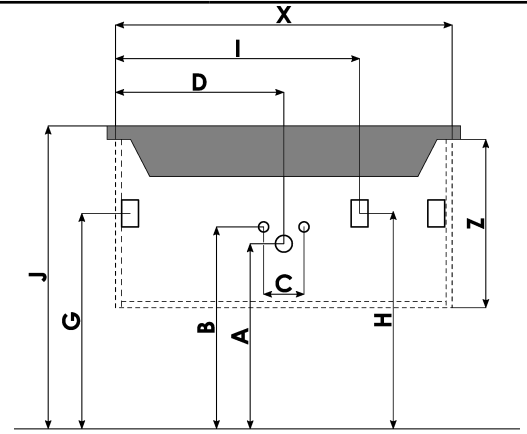
Z: 100mm



A



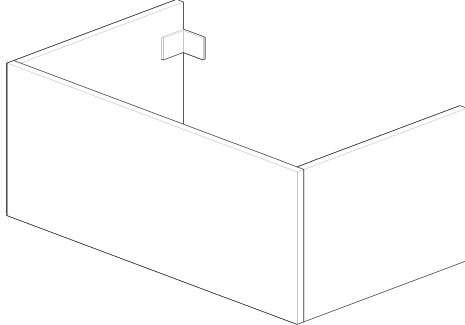
- A 560 mm
- B 600 mm
- C 80-120 mm
- D 401 mm
- E 798 mm
- F ... mm
- G 691 mm
- H 691 mm
- I 1751/848/1549 mm
- J 860 mm
- M mm
- N mm



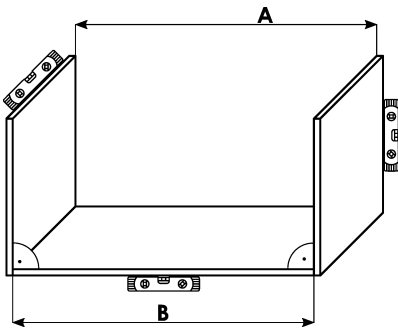
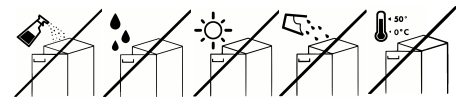
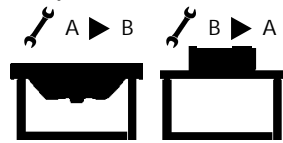
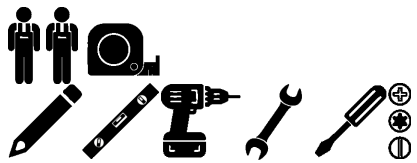
X 1600 mm

Y 500 mm

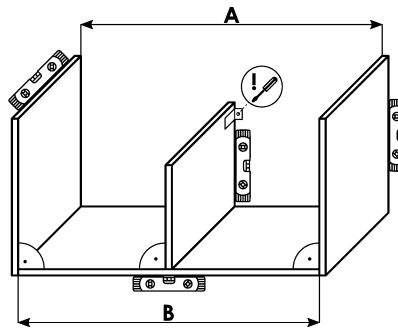
Z 418 mm



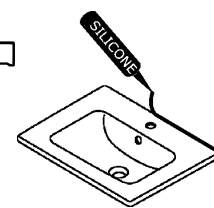
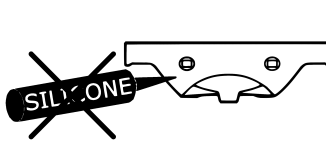
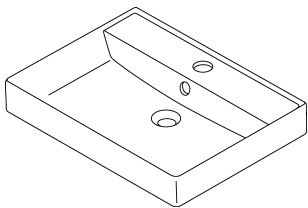
B



! A=B



A



B

