



U023

X: 600mm

Y: 470mm

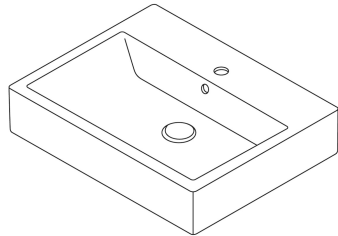
Z: 130mm



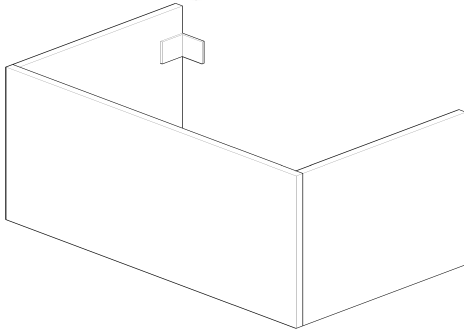
X: 1400 mm

Y: 500 mm

Z: 418 mm

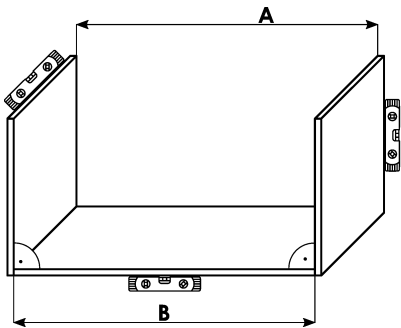
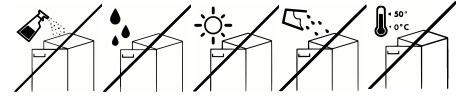
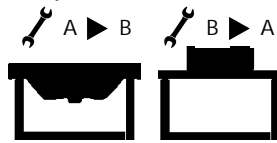
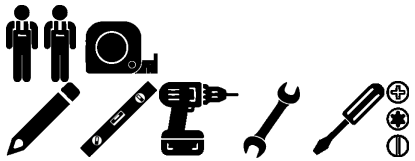
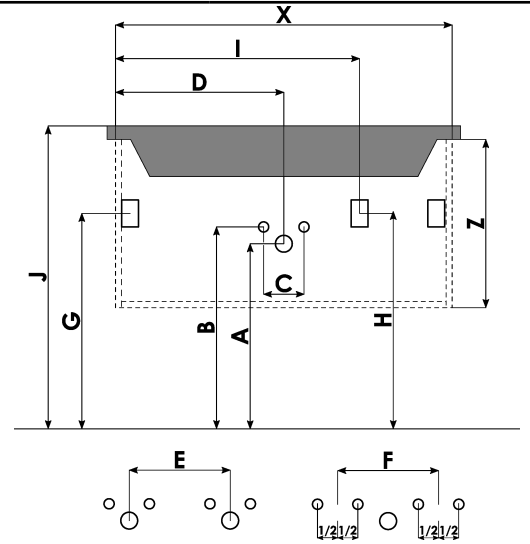


A 

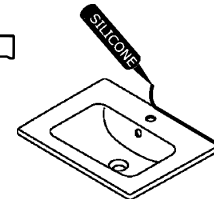
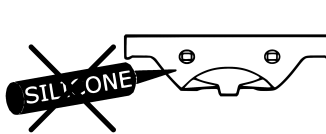
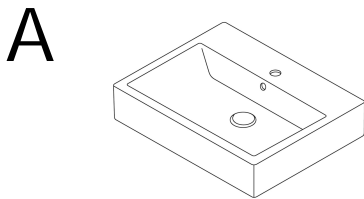
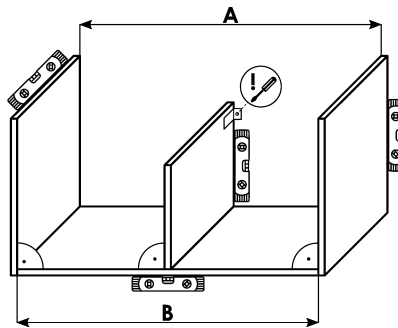


B 

- A 560 mm
- B 600 mm
- C 80-120 mm
- D 350 mm
- E 700 mm
- F 700 mm
- G 656 mm
- H 656 mm
- I 740 mm
- J 860 mm
- M mm
- N mm



! A=B



B

