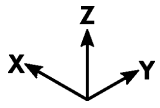


# JOCKAM SZZ4 120 U103

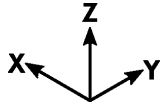


U103

X<sub>1</sub> 460mm

Y<sub>1</sub> 390mm

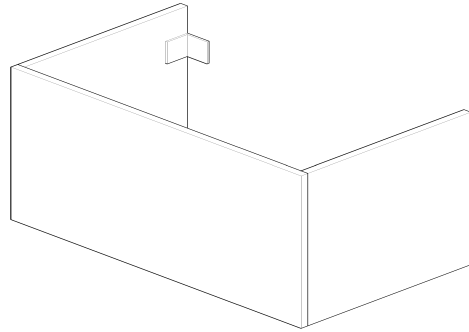
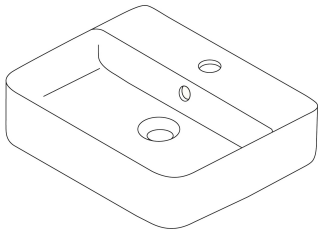
Z<sub>1</sub> 125mm



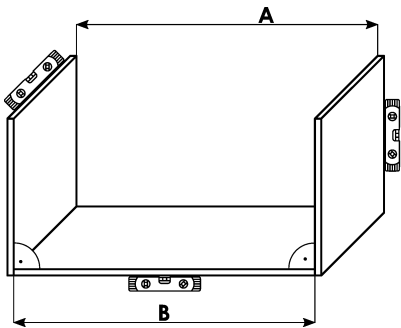
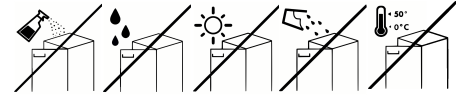
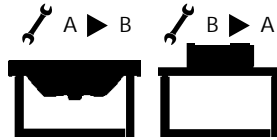
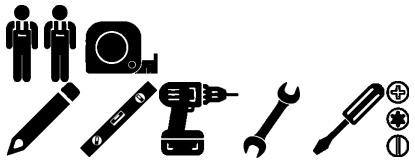
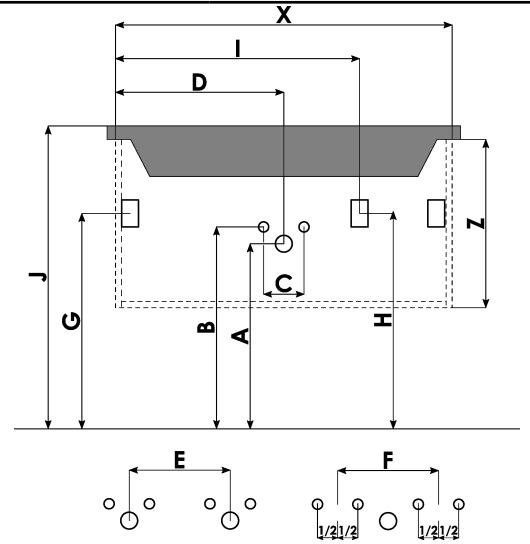
X 1200 mm

Y 500 mm

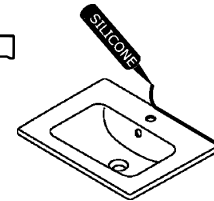
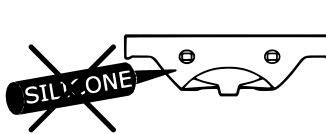
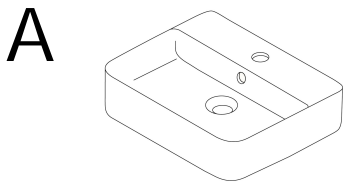
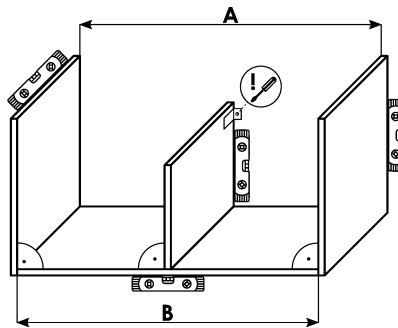
Z 418 mm



- A 560 mm
- B 600 mm
- C 80-120 mm
- D 300 mm
- E ... mm
- F ... mm
- G 656 mm
- H 656 mm
- I 640 mm
- J 860 mm
- M mm
- N mm



! A=B



B

