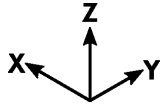


U023

X: 600mm

Y: 470mm

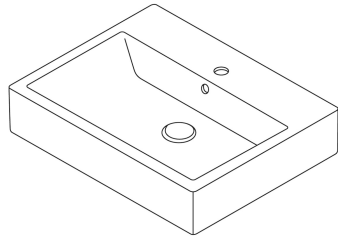
Z: 130mm



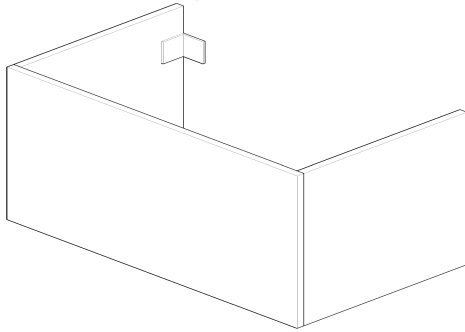
X: 1200 mm

Y: 500 mm

Z: 218 mm



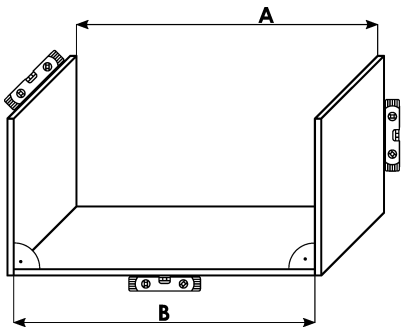
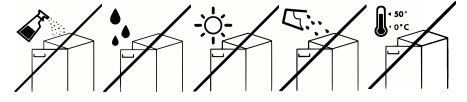
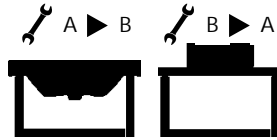
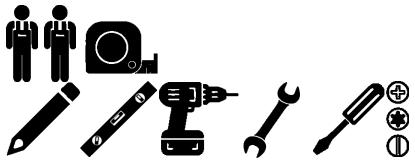
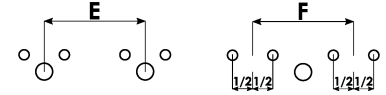
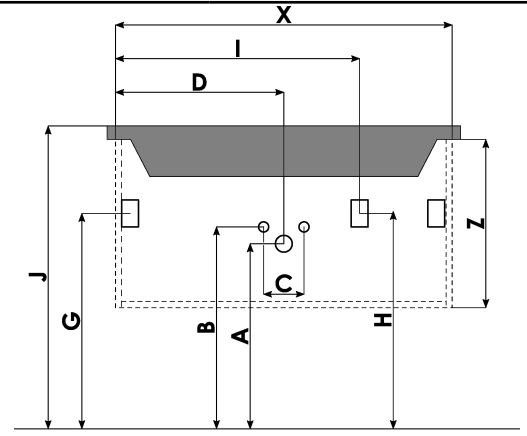
A



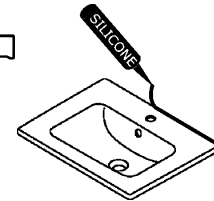
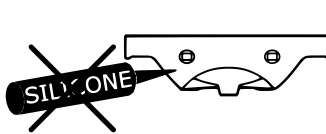
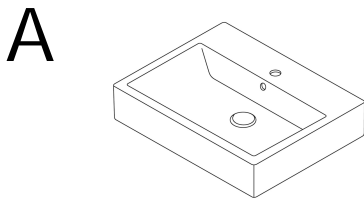
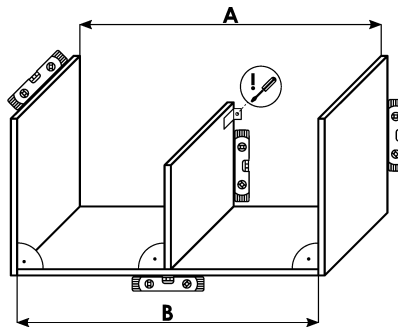
B



- A 480 mm
- B 620 mm
- C 80-120 mm
- D 300 mm
- E ... mm
- F ... mm
- G 656 mm
- H 656 mm
- I 640 mm
- J 860 mm
- M mm
- N mm



! A=B



B

