

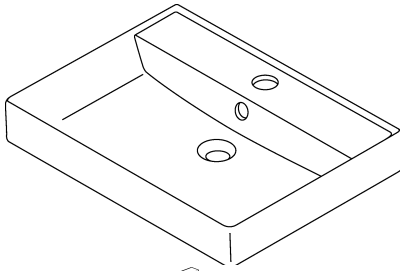


U116

X<sub>1</sub> 700mm

Y<sub>1</sub> 455mm

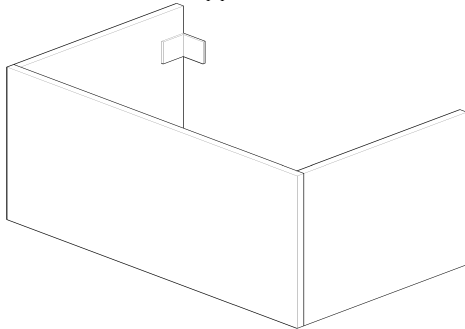
Z<sub>1</sub> 100mm



X 1000 mm

Y 500 mm

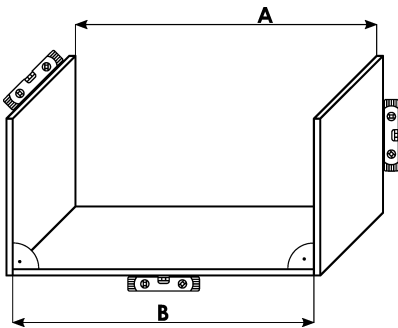
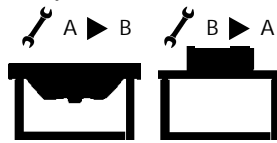
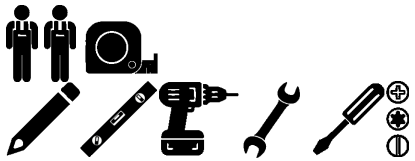
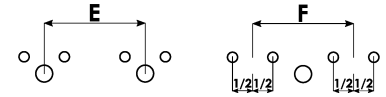
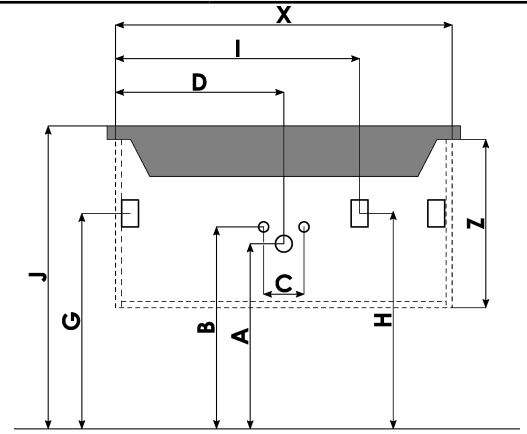
Z 418 mm



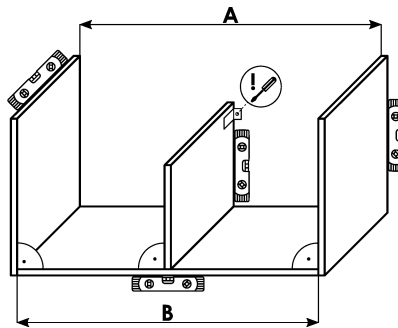
A



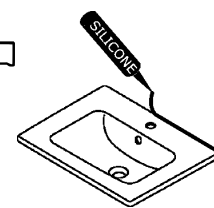
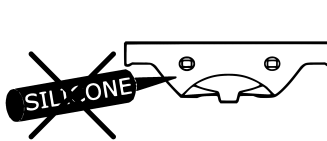
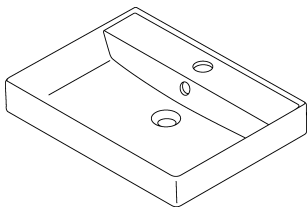
- A 560 mm
- B 600 mm
- C 80-100 mm
- D 500 mm
- E --- mm
- F --- mm
- G 691 mm
- H --- mm
- I --- mm
- J 860 mm
- M mm
- N mm



! A=B



A



B

