

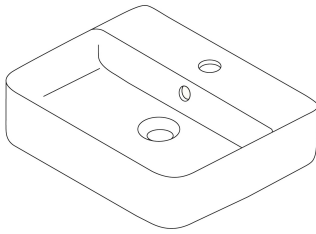


U103

X: 460mm

Y: 390mm

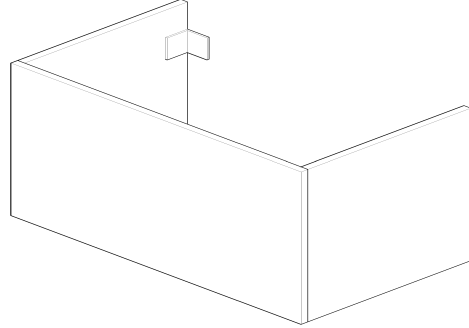
Z: 125mm



X: 2000 mm

Y: 500 mm

Z: 318 mm



A



A 560 mm
B 600 mm
C 80-120 mm

B



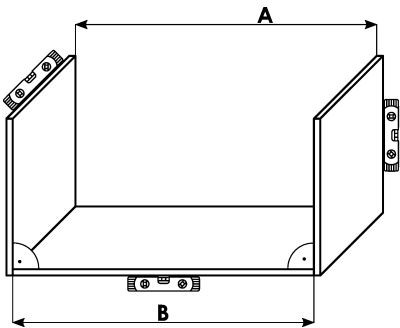
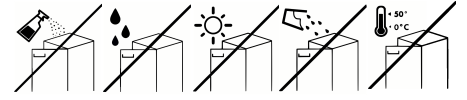
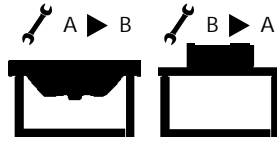
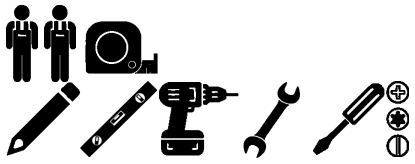
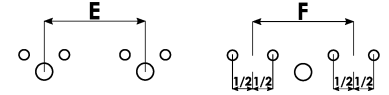
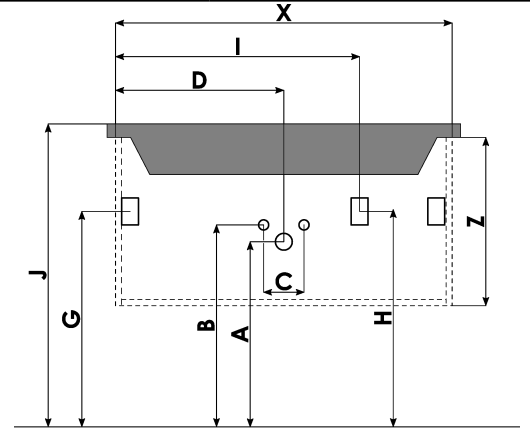
D 501 mm
E 998 mm
F ... mm
G 656 mm
H 656 mm

I 951/1048/1949 mm

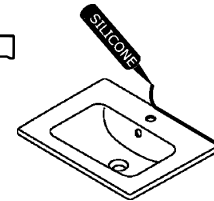
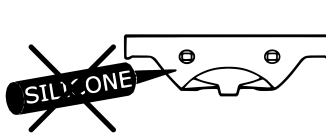
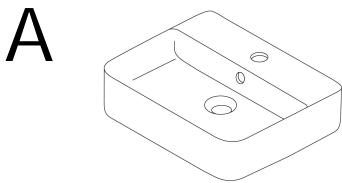
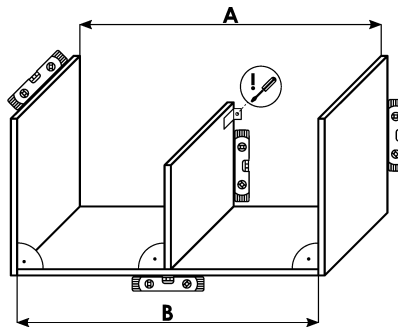
J 860 mm

M mm

N mm



! A=B



B

