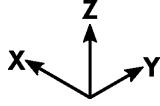


U023

X: 600mm

Y: 470mm

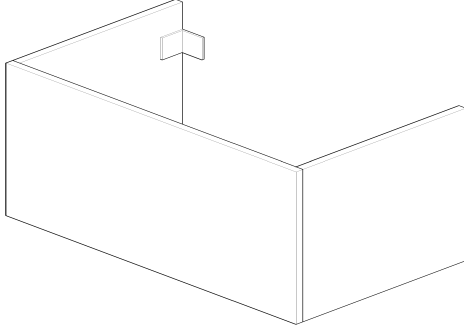
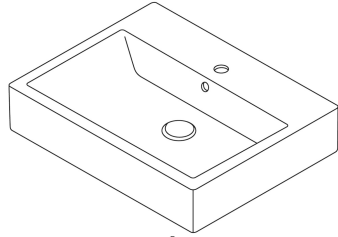
Z: 130mm



X: 2000 mm

Y: 500 mm

Z: 318 mm



A



A 560 mm  
B 600 mm  
C 80-120 mm

D 501 mm

E 998 mm

F ... mm

G 656 mm

H 656 mm

I

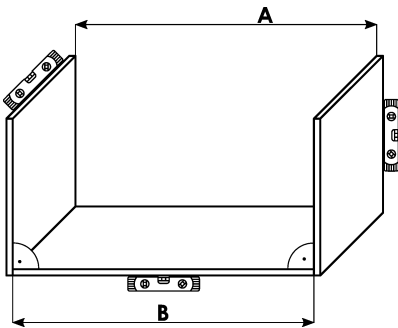
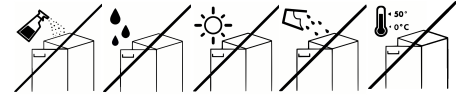
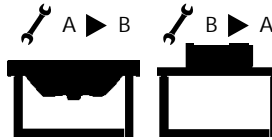
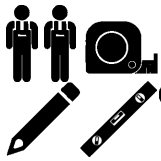
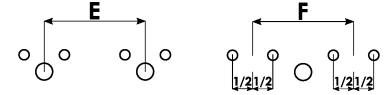
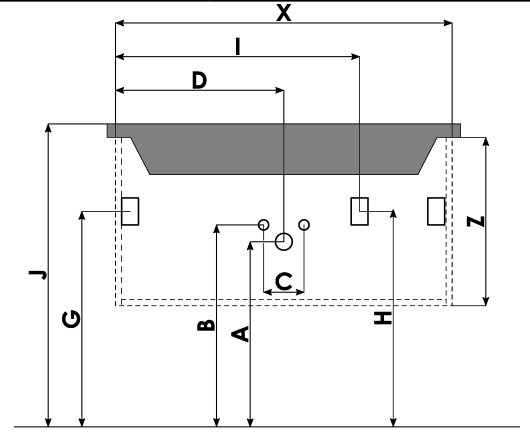
951/1048/1949

mm

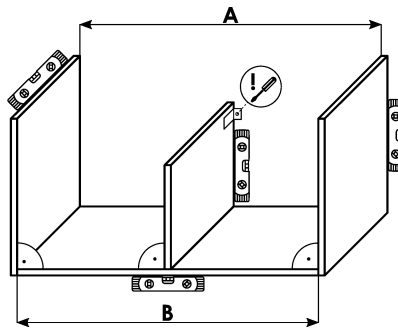
J 860 mm

M mm

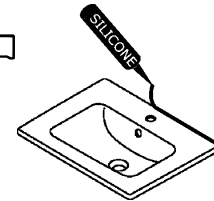
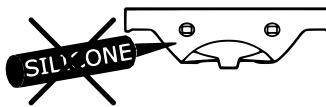
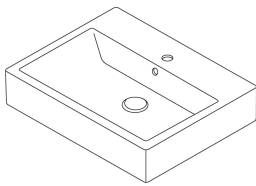
N mm



! A=B



A



B

