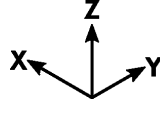


U023

X: 600mm

Y: 470mm

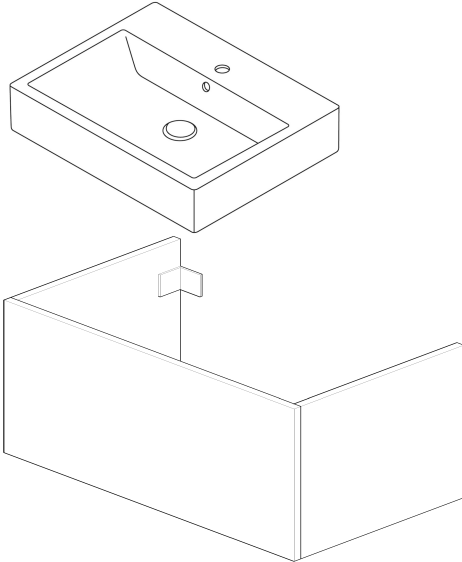
Z: 130mm



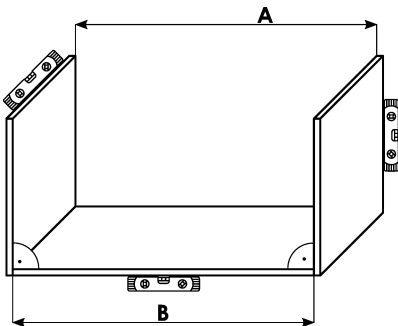
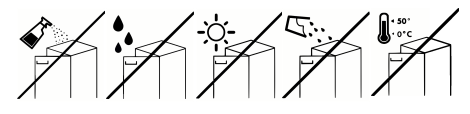
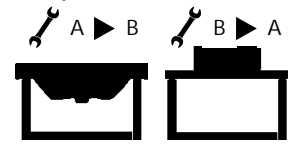
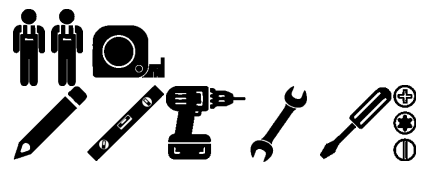
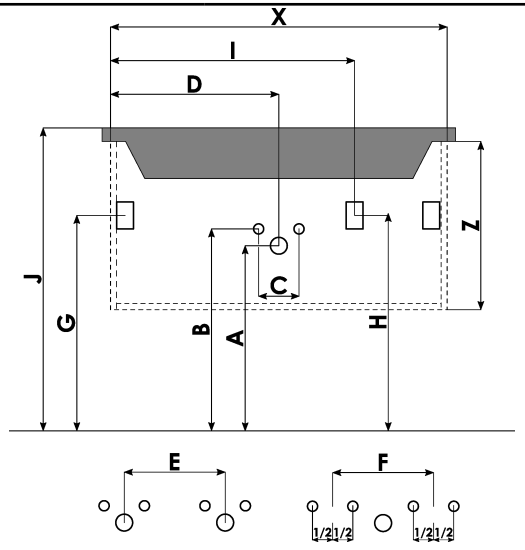
X: 2000 mm

Y: 500 mm

Z: 318 mm



- A 560 mm
- B 600 mm
- C 80-120 mm
- D 501 mm
- E 998 mm
- F ... mm
- G 656 mm
- H 656 mm
- I 951/1048/1949 mm
- J 860 mm
- M mm
- N mm



! A=B

