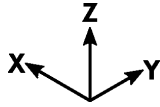


U103

X₁ 460mm

Y₁ 390mm

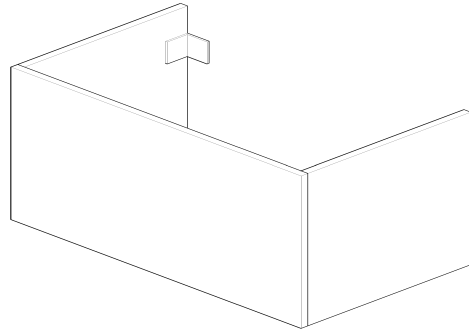
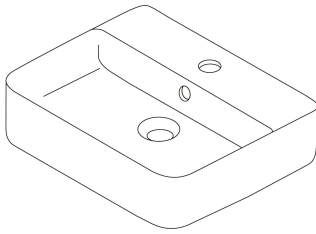
Z₁ 125mm



X 1600 mm

Y 500 mm

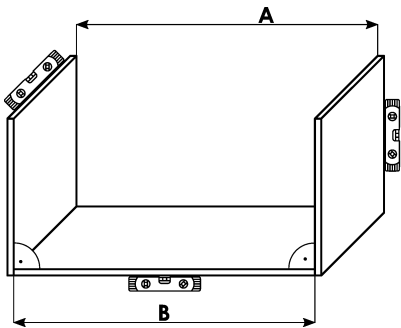
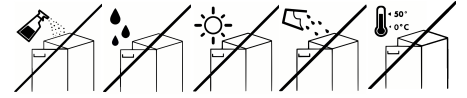
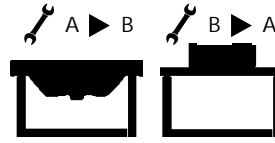
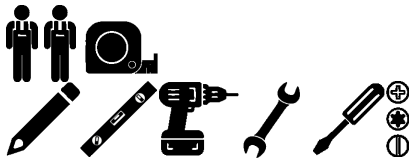
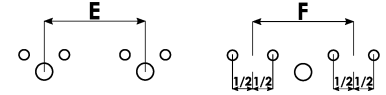
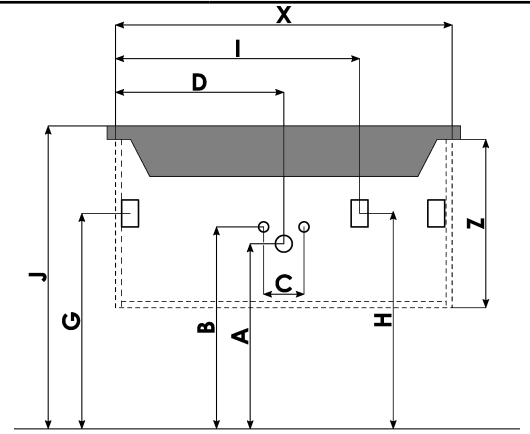
Z 318 mm



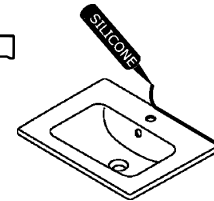
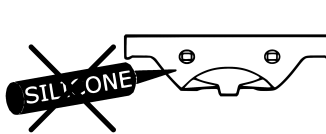
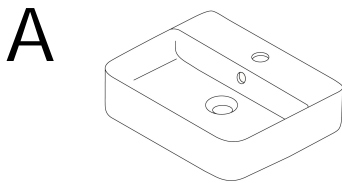
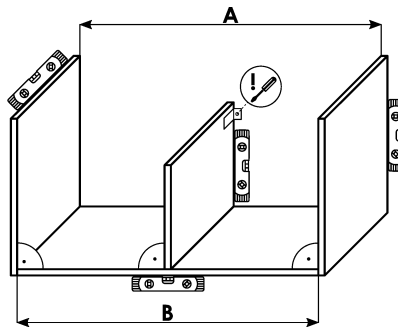
A



- A 560 mm
- B 600 mm
- C 80-120 mm
- D 401 mm
- E 798 mm
- F ... mm
- G 656 mm
- H 656 mm
- I 751/848/1549 mm
- J 860 mm
- M mm
- N mm



! A=B



B

