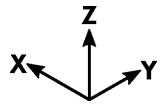


MODULE SZZ1 100 U103

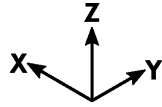


U103

X₁ 460mm

Y₁ 390mm

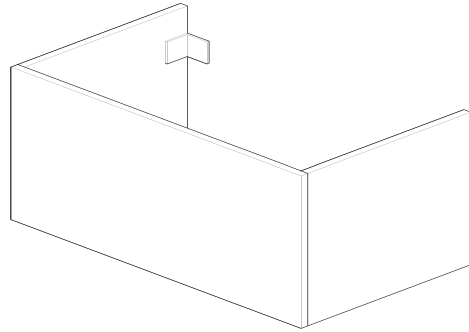
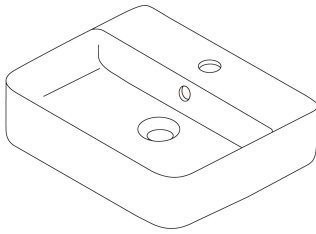
Z₁ 125mm



X 1000 mm

Y 500 mm

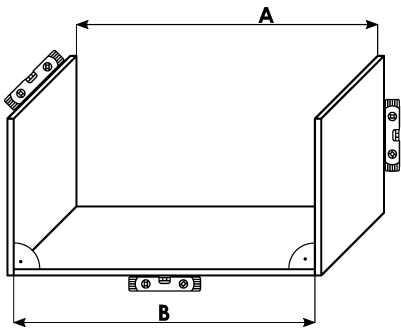
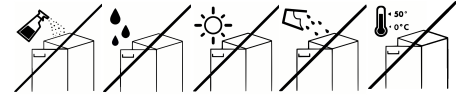
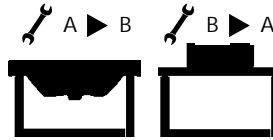
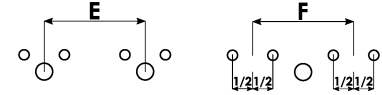
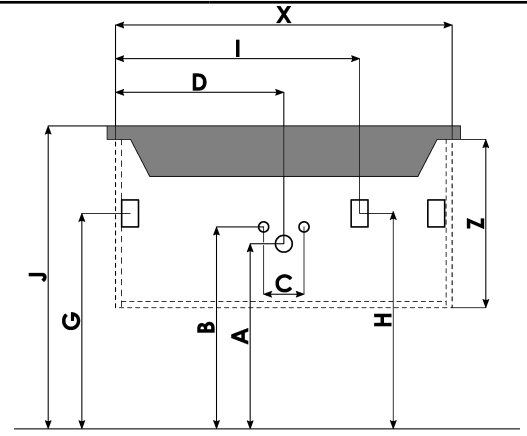
Z 318 mm



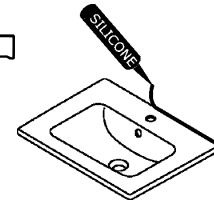
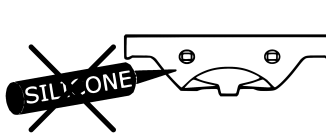
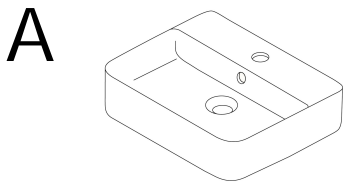
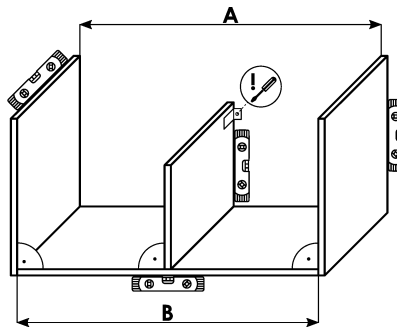
A



- A 560 mm
- B 600 mm
- C 80-120 mm
- D 500 mm
- E --- mm
- F --- mm
- G 656 mm
- H --- mm
- I --- mm
- J 860 mm
- M mm
- N mm



! A=B



B

