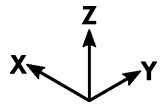
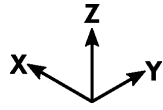


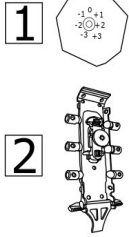
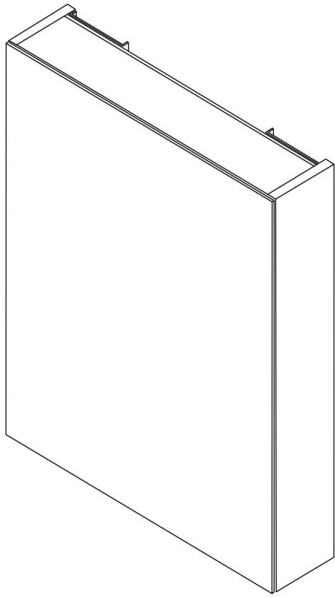
# WALL IN GA2OE 120



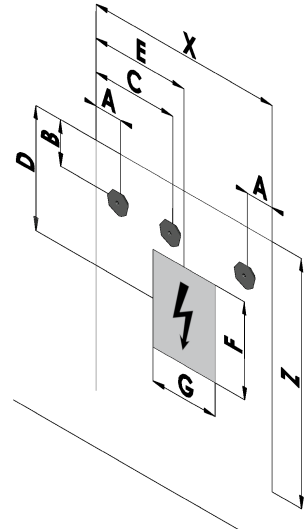
X<sub>1</sub> 0mm  
Y<sub>1</sub> 0mm  
Z<sub>1</sub> 0mm



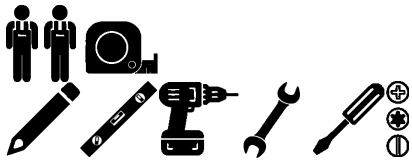
X 1324 mm  
Y 140 mm  
Z 863 mm



X 1324 mm  
Z 863 mm  
A mm  
B mm  
C mm  
D 1/2 Z  
E 1/2 X  
F mm  
G mm  
H mm  
I mm  
J mm



220V-240V~ ; 50Hz-60Hz ; max. 500W ; IP44 ; 4000K



**max. Kg** Max. 50 Kg

