



XXX

X: 0mm

Y: 0mm

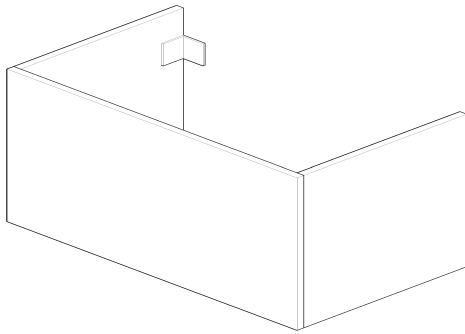
Z: 0mm



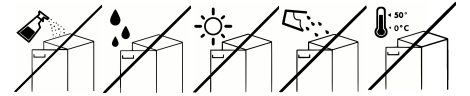
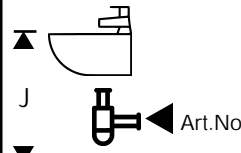
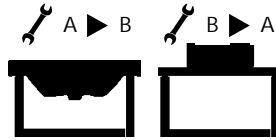
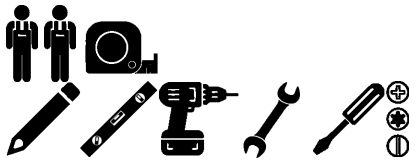
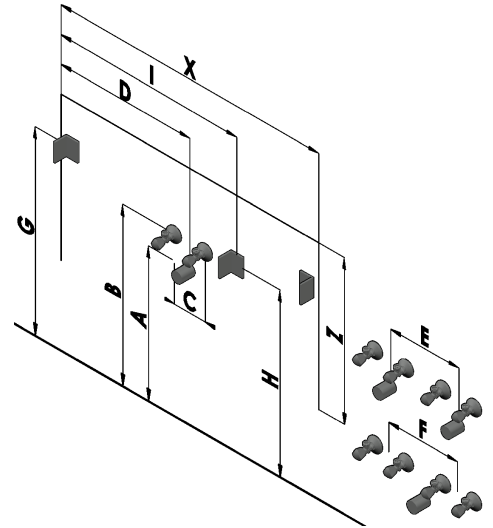
X 900 mm

Y 500 mm

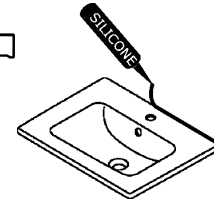
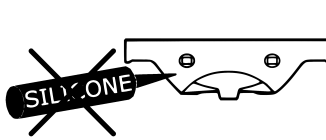
Z 400 mm



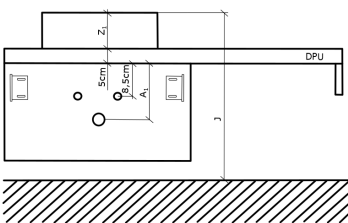
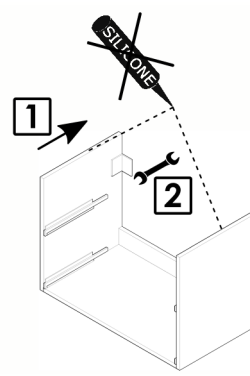
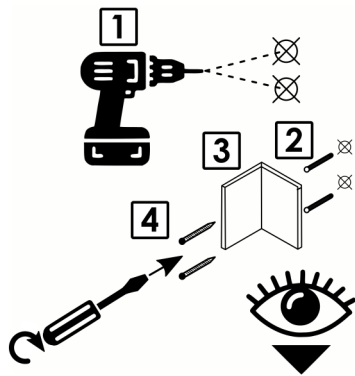
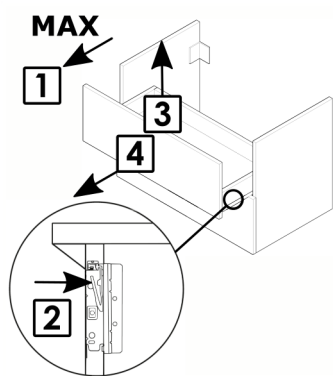
- A --- mm
- B --- mm
- C 80-120 mm
- D --- mm
- E --- mm
- F --- mm
- G mm
- H mm
- I mm
- J 860 mm
- M mm
- N 31 mm



A



B



Z₁ = Triumph:
 SZZ A₁ = 80 mm
 SZZ1 A₁ = 80 mm
 SZZ2 A₁ = 80 mm

Z₁ = Kube, Joy, Joy 3:
 SZZ A₁ = 230 mm
 SZZ1 A₁ = 120 mm
 SZZ2 A₁ = 120 mm

