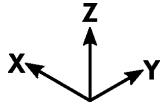


XXX

X: 0mm

Y: 0mm

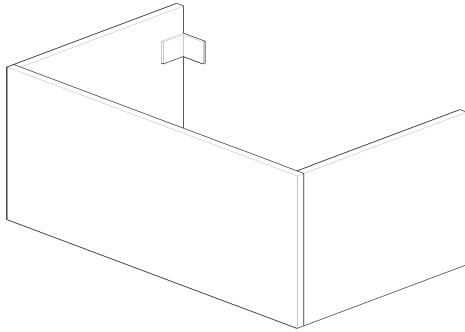
Z: 0mm



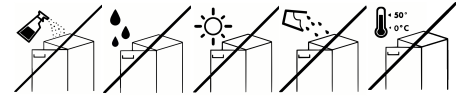
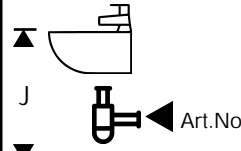
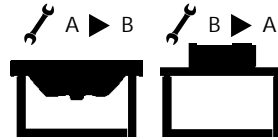
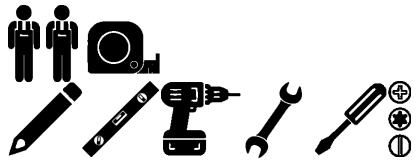
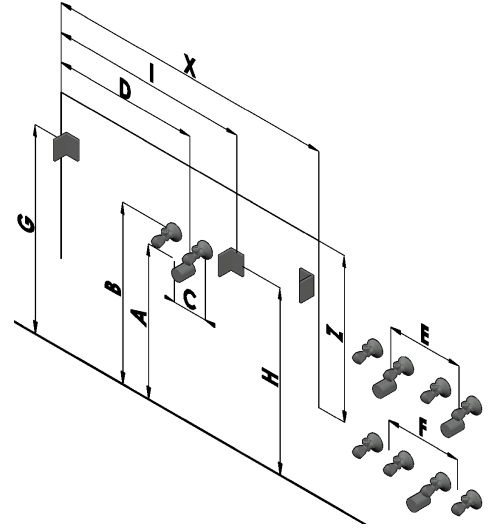
X: 700 mm

Y: 495 mm

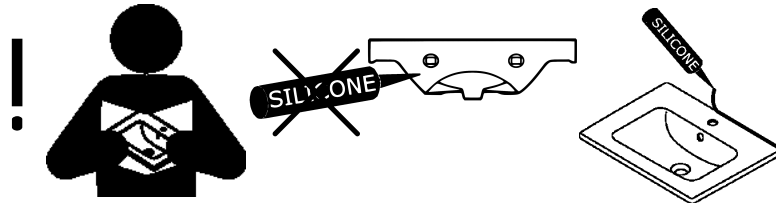
Z: 400 mm



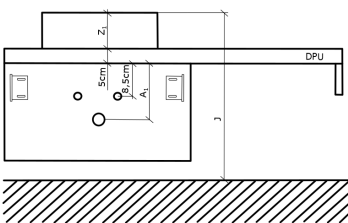
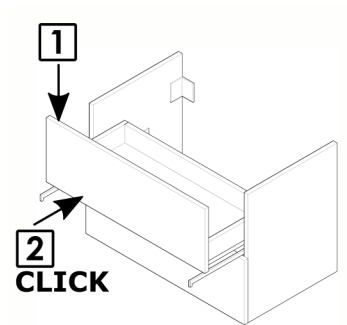
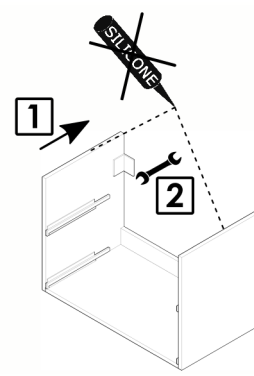
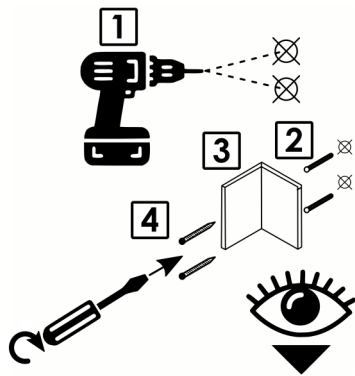
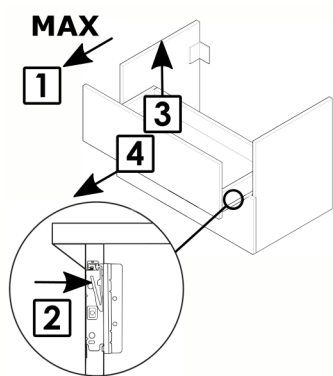
- A mm
- B mm
- C 80-120 mm
- D mm
- E mm
- F mm
- G mm
- H mm
- I mm
- J 860 mm
- M mm
- N 31 mm



A



B



Z<sub>1</sub> = Triumph:  
 SZZ A<sub>1</sub> = 80 mm  
 SZZ1 A<sub>1</sub> = 80 mm  
 SZZ2 A<sub>1</sub> = 80 mm

Z<sub>1</sub> = Kube, Joy, Joy 3:  
 SZZ A<sub>1</sub> = 230 mm  
 SZZ1 A<sub>1</sub> = 120 mm  
 SZZ2 A<sub>1</sub> = 120 mm

