

XXX

X: 0mm

Y: 0mm

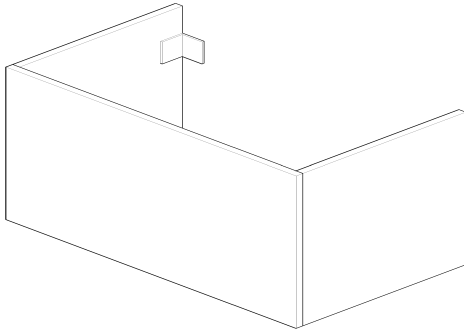
Z: 0mm



X 1000 mm

Y 500 mm

Z 300 mm



A



A mm

B mm

C 80-120 mm

D mm

E mm

F mm

G mm

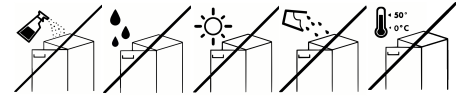
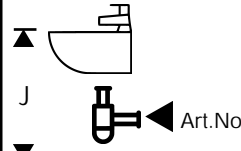
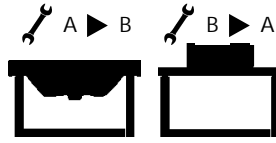
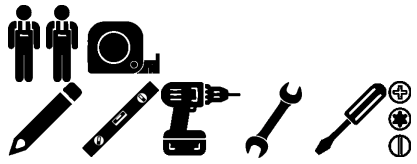
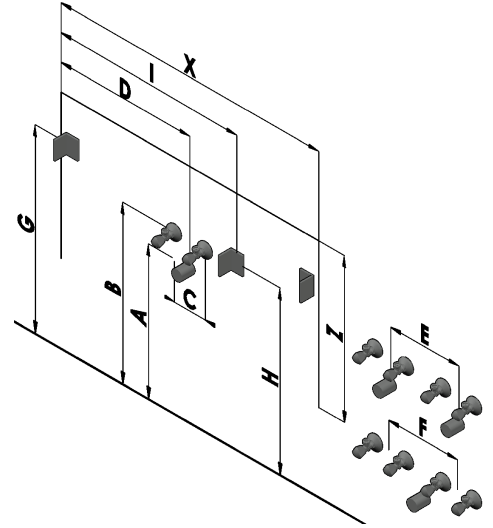
H mm

I mm

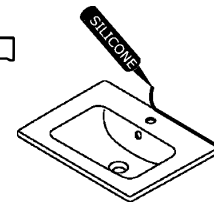
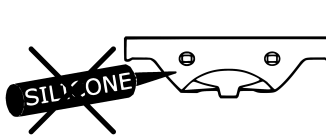
J 860 mm

M mm

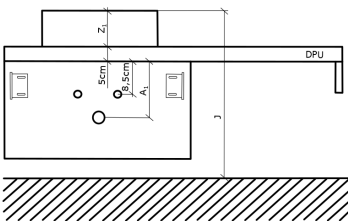
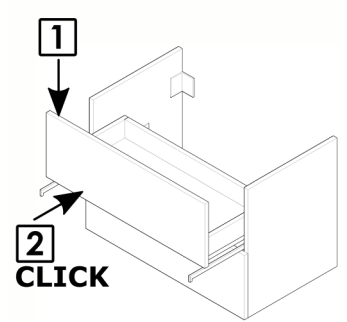
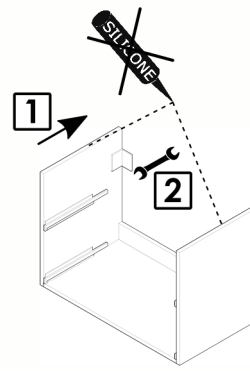
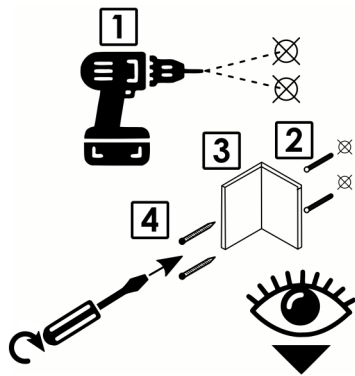
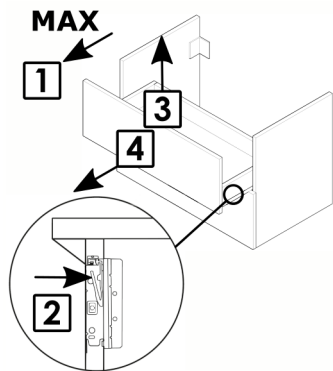
N 31 mm



A



B



Z₁ = Triumph:

SZZ A₁ = 80 mm

SZZ1 A₁ = 80 mm

SZZ2 A₁ = 80 mm

Z₁ = Kube, Joy, Joy 3:

SZZ A₁ = 230 mm

SZZ1 A₁ = 120 mm

SZZ2 A₁ = 120 mm

